

00 91 13.03

ADDENDUM NO. 3

DATE: October 17, 2019

FROM: Baxter & Woodman, Inc., Consulting Engineers

TO: Planholders of record for the Work titled:

**VILLAGE OF ELWOOD, ILLINOIS
WATER SYSTEM IMPROVEMENTS
WATER TREATMENT PLANT SOFTENER ADDITION**

The Bidding Documents are amended as follows:

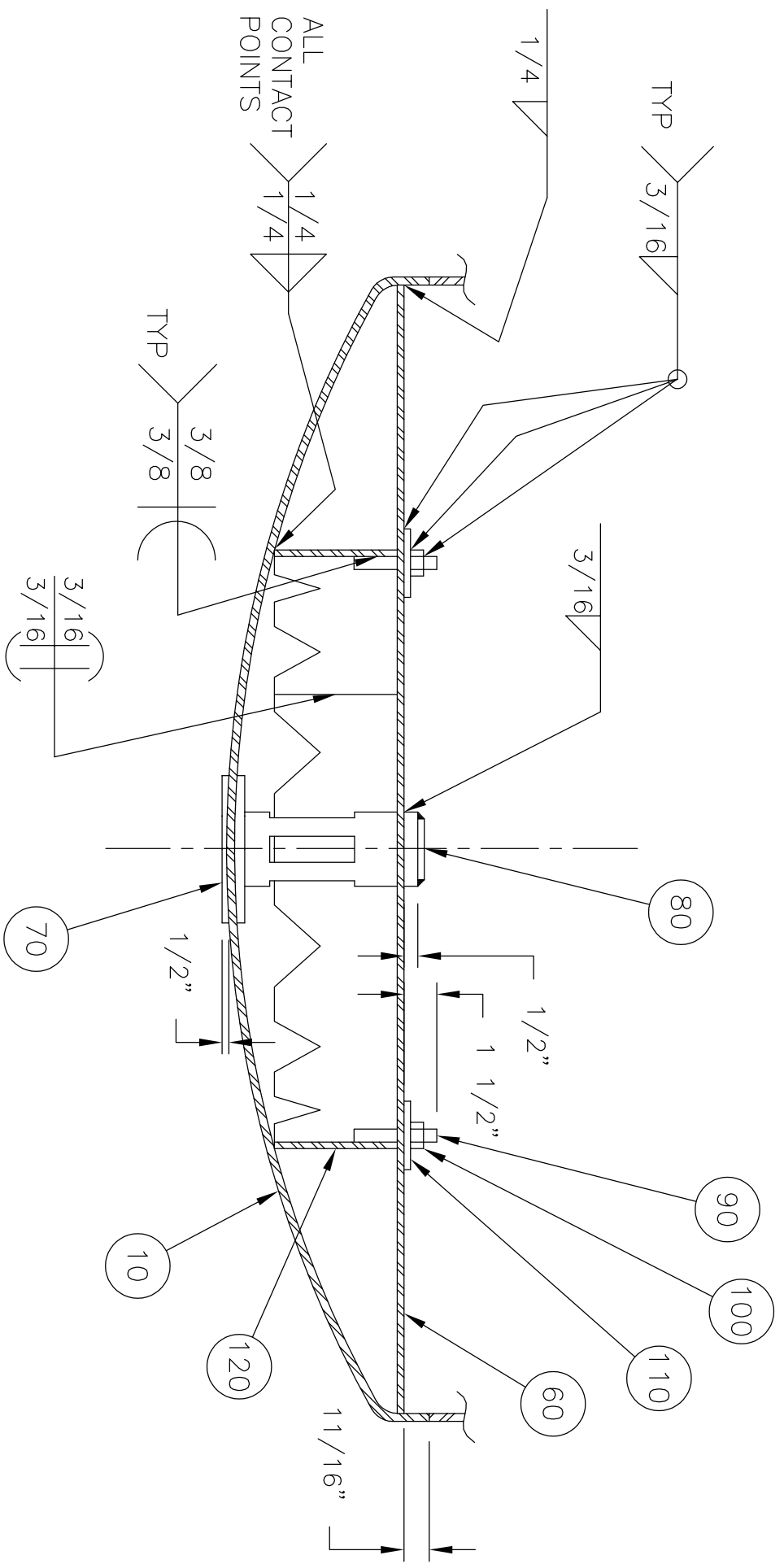
1. CLARIFICATIONS

- A. The following clarifications are being provided to assist the Contractor in preparing costs related to the underdrain replacement within the two existing softening vessels:
1. See attached drawings provided by WesTech Engineering which shows the steel underdrain construction and installation of the grout. Please contact WesTech Engineering for further clarifications if needed. (Darrell Christianson, 515.268.8557).
 2. Contractor is responsible for repairs to vessel coating damaged as part of the underdrain modifications. Contact Erik Otten, Taylor Coatings, (Cell: 708.822.8323) for specific surface preparation and coating materials.
 3. Provide type of grout fill specified by WesTech Engineering.
 4. The existing two vessels are ASME Code with Stamp.

Nothing in this Addendum shall be construed as changing other requirements of the Bidding Documents. Each Bidder shall acknowledge receipt of this Addendum where indicated in the Bid Form.

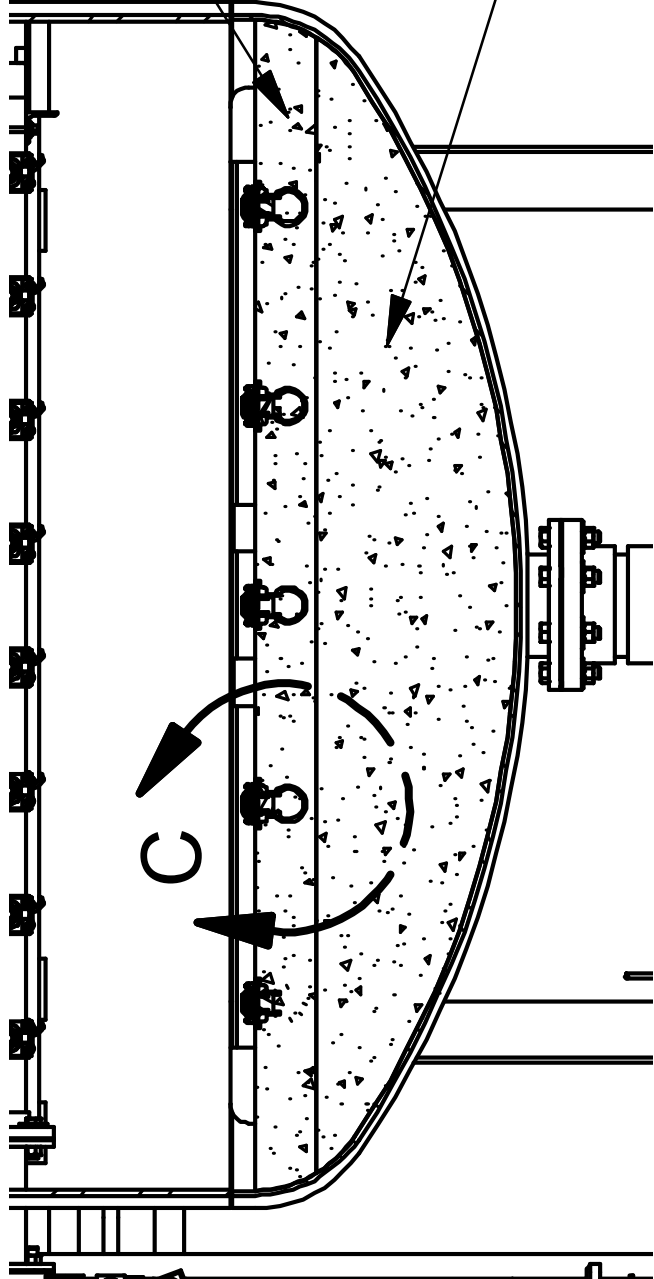
END OF ADDENDUM NO. 3

ADDENDUM NO. 3
00 91 13.03-1 (180919.44)



UNDERDRAIN SUPPORT DETAIL

N.T.S.



1:2 1/2 (GROUT) MIX
(NON-SHRINK)
TO TOP OF RED CAPS
(BY OTHERS)

1:3:7 (FOUNDATION) MIX
FILL TO 4" BELOW THE
TOP OF THE RED CAPS
(BY OTHERS)